

## MPS Series

### Manual Projector Screen

Item ref: 952.328UK/952.329UK/952.330UK

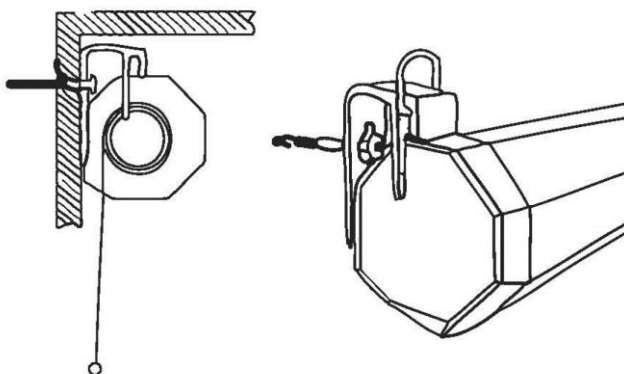
User Manual

Thank you for choosing this AV:Link projector screen. An ideal solution for all types of installation such as classrooms, auditoriums or places of worship.

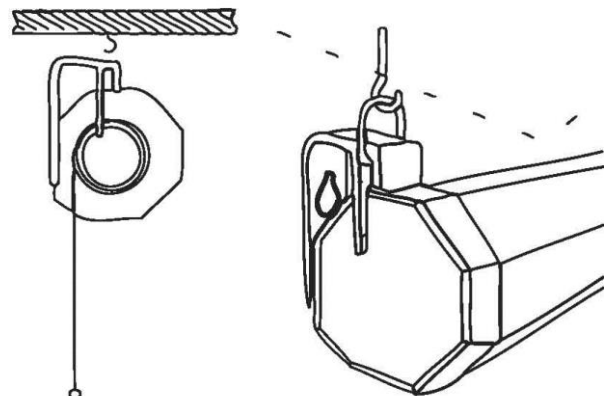
#### Installation:

This projector screen is suitable for both wall or ceiling mounting, it is important the unit is installed accurately using a spirit level to ensure the screen can operate correctly & safely.

*Wall mounting*



*Ceiling mounting*



#### To open:

Pull screen down gently until desired drop is achieved. Hold for a moment for the auto-lock to activate.

#### To close:

Pull screen down slightly to release the lock and allow the screen to retract back into the unit slowly. Do not release suddenly as this may cause damage to the unit.

#### Maintenance:

Maintenance and service of the unit should not be required throughout the duty life of the product. We recommend dusting the unit on regular basis using a dry microfibre cloth. Use a slightly damp microfibre cloth to remove any stains with max 5% soap solution. Always ensure the surface is completely dry before closing the screen.

*Errors and omissions excepted.  
Copyright© 2014. AVSL Group Ltd.*